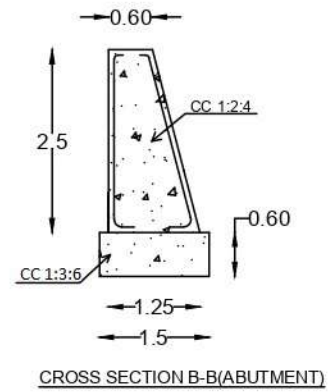
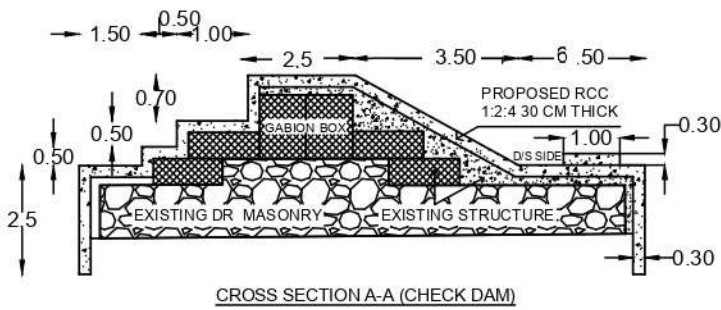
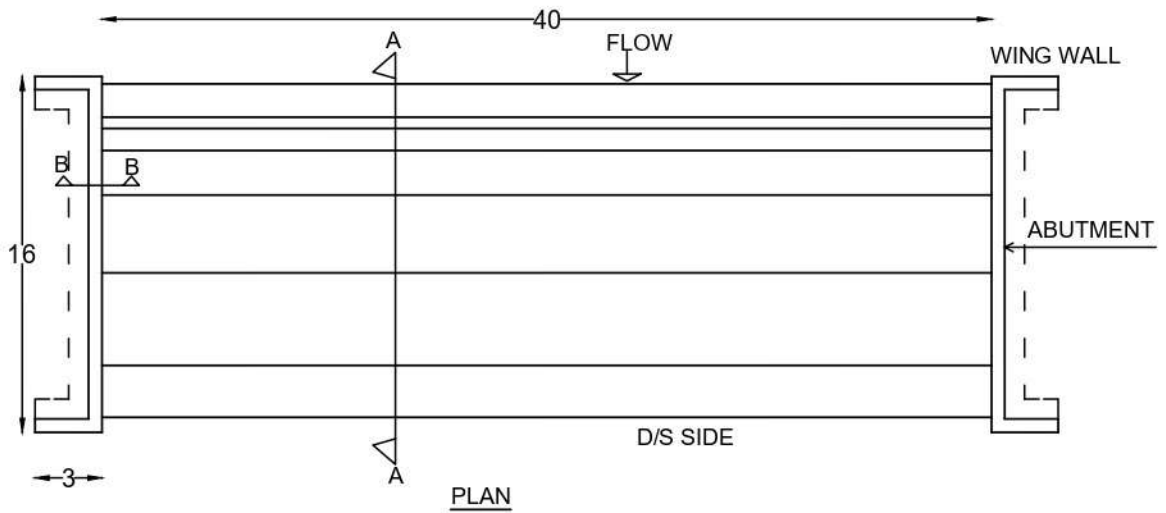


KIIFB-WSS to Kalluvathukkal, Parippally and Velinalloor-part Phase II-Package V-Reforming the semi permanent check dam to a permanent check dam to increase the storage capacity across Ithikkara river D/S of Aduthala Bridge in Kalluvathukkal Panchayath.



All dimensions are in meters