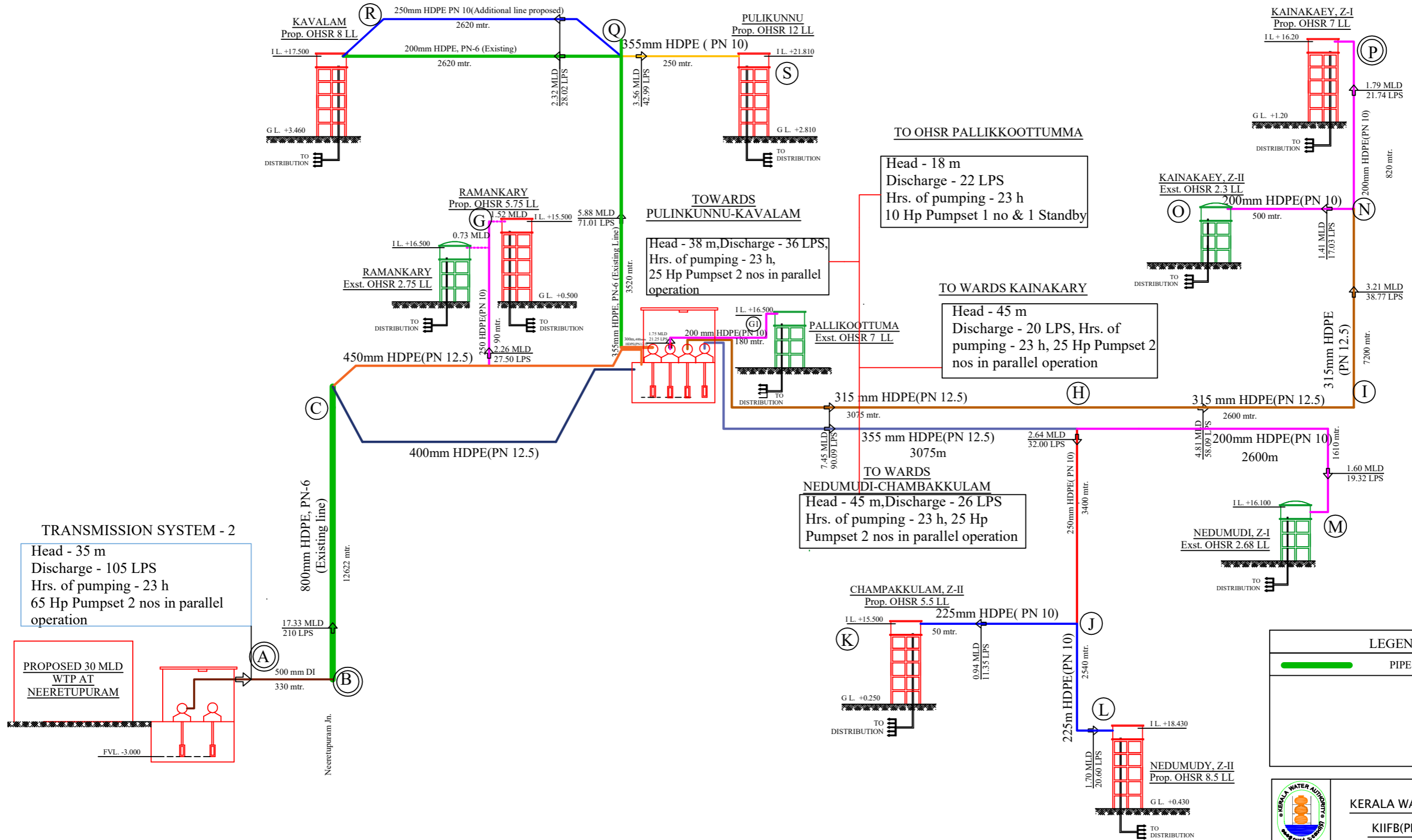


CLEAR WATER PUMPING MAIN FROM 30 MLD TREATMENT PLANT AT NEERETUPURAM



TRANSMISSION SYSTEM - 2
 Head - 35 m
 Discharge - 105 LPS
 Hrs. of pumping - 23 h
 65 Hp Pumpset 2 nos in parallel operation

TOWARDS PULINKUNNU-KAVALAM
 Head - 38 m, Discharge - 36 LPS,
 Hrs. of pumping - 23 h,
 25 Hp Pumpset 2 nos in parallel operation

TO OHSR PALLIKOOTUMMA
 Head - 18 m
 Discharge - 22 LPS
 Hrs. of pumping - 23 h
 10 Hp Pumpset 1 no & 1 Standby

TO WARDS KAINAKARY
 Head - 45 m
 Discharge - 20 LPS, Hrs. of
 pumping - 23 h, 25 Hp Pumpset 2
 nos in parallel operation

TO WARDS NEDUMUDI-CHAMBAKKULAM
 Head - 45 m, Discharge - 26 LPS
 Hrs. of pumping - 23 h, 25 Hp
 Pumpset 2 nos in parallel operation

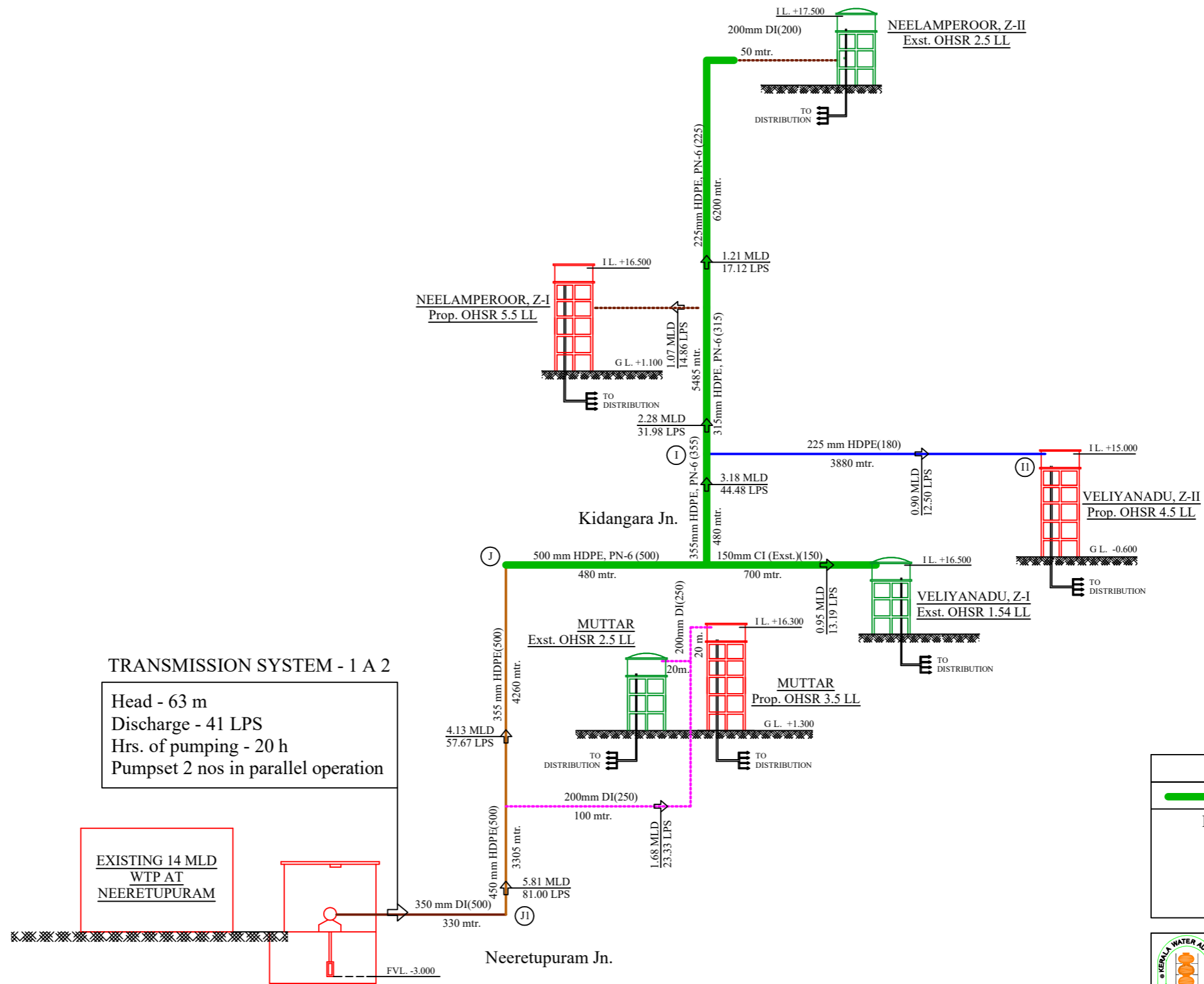
LEGEND	
	PIPE LINE ALREADY LAID

KERALA WATER AUTHORITY
KIIFB(PIU) ALAPPUZHA

DRAWING NO.1/2

PROJECT: **KIIFB 2017-18 KUTTANADU DRINKING WATER PROJECT II PHASE IN ALAPPUZHA DIST. - MODIFIED SCHEMATIC**

CLEAR WATER PUMPING MAIN FROM EXISTING 14 MLD TREATMENT PLANT AT NEERETUPURAM



TRANSMISSION SYSTEM - 1 A 2

Head - 63 m
 Discharge - 41 LPS
 Hrs. of pumping - 20 h
 Pumpset 2 nos in parallel operation

EXISTING 14 MLD
 WTP AT
 NEERETUPURAM

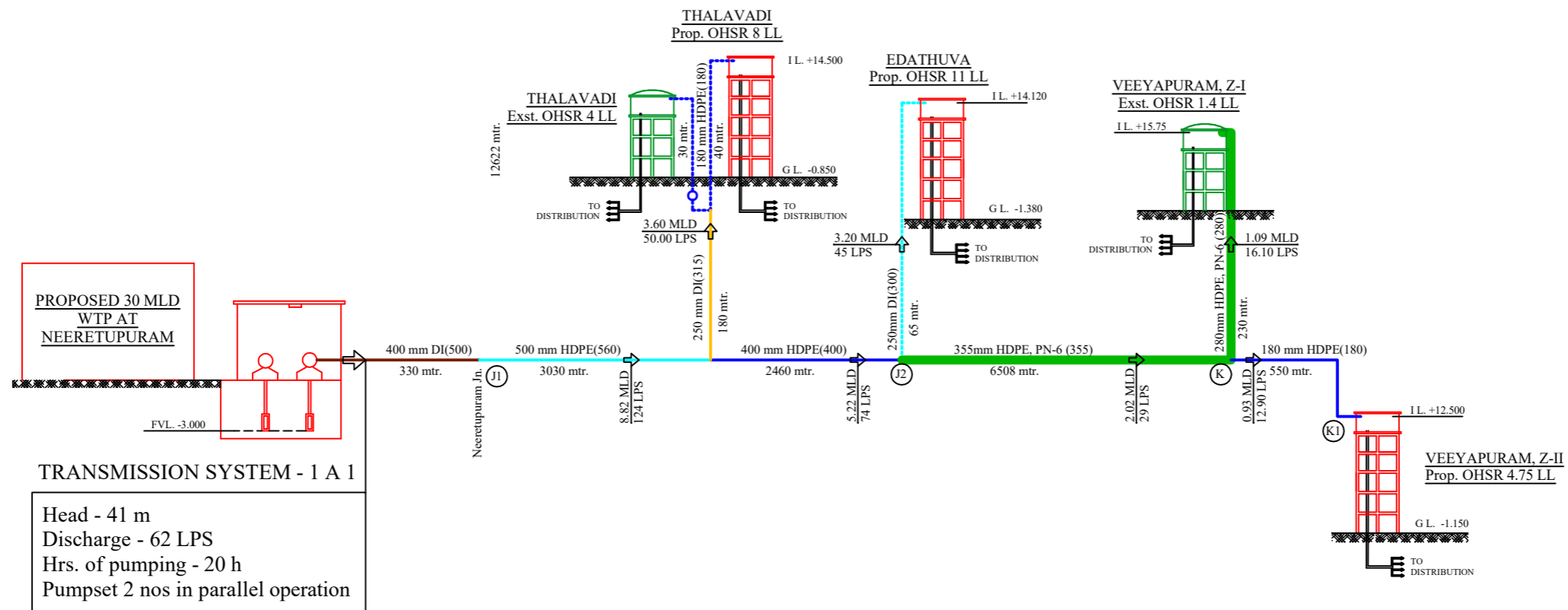
LEGEND	
	PIPE LINE ALREADY LAID
	PN-16 (Proposal)
	PN-6(Original)
	710 mm HDPE(560)

KERALA WATER AUTHORITY
 PROJECT DIVISION, KIIFB(PIU) ALAPPUZHA

DRAWING NO.1/2

PROJECT:
 KIIFB 2017-18 KUTTANADU DRINKING WATER
 PROJECT II PHASE IN ALAPPUZHA DIST.

CLEAR WATER PUMPING MAIN FROM PROPOSED 30 MLD TREATMENT PLANT AT NEERETUPURAM



LEGEND	
	PIPE LINE ALREADY LAID
PN-16 (Proposal)	PN-6(Original)
710 mm HDPE(560)	

	KERALA WATER AUTHORITY PROJECT DIVISION, KIIFB(PIU) ALAPPUZHA/
DRAWING NO.1/2	
PROJECT: KIIFB 2017-18 KUTTANADU DRINKING WATER PROJECT II PHASE IN ALAPPUZHA DIST.	

