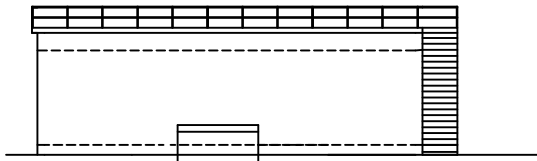
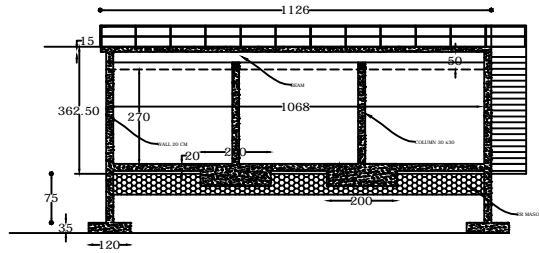


PROPOSED PLAN OF THE 3 LL GLSR AT VATTALAKKI



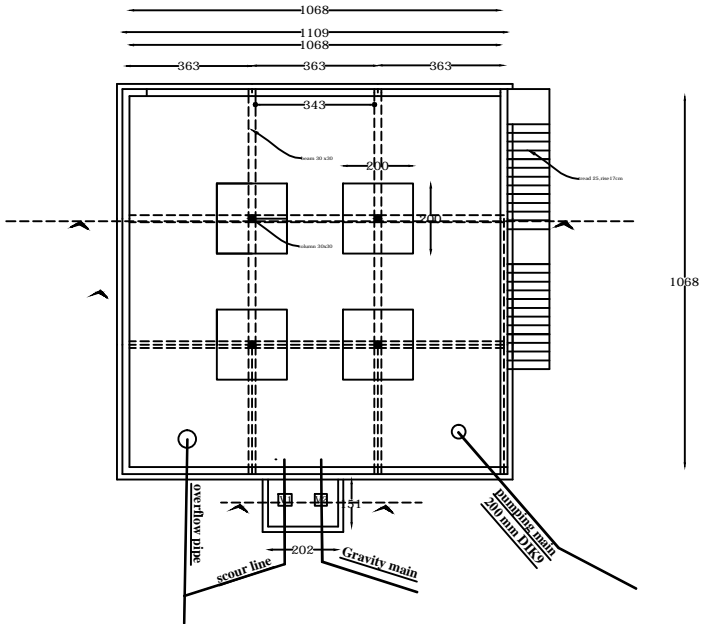
ELEVATION



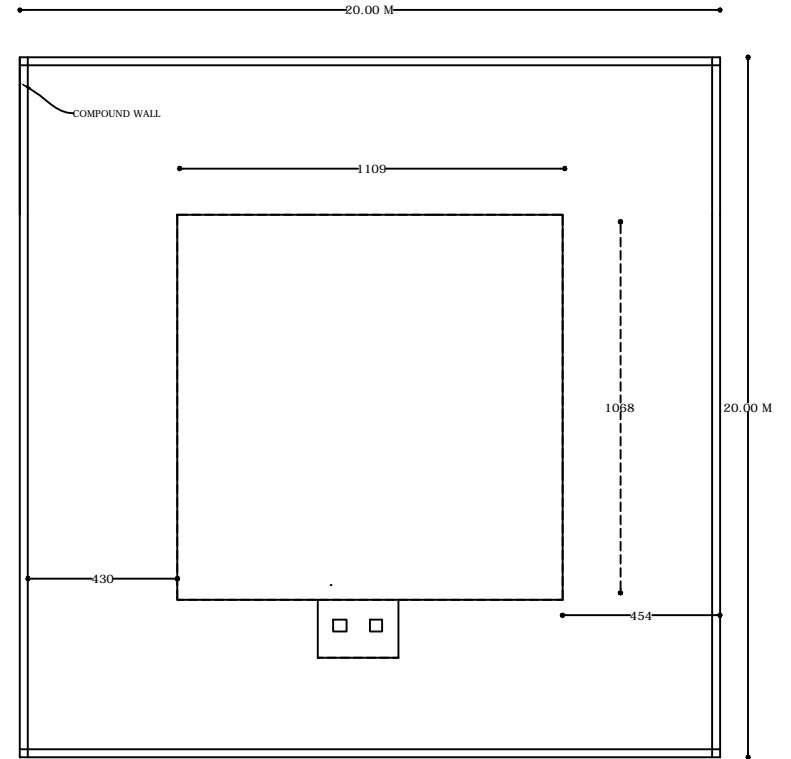
SECTION AA

CAPACITY OF GLSR TANK - 3LL

$$10.68 \times 10.68 \times 2.70 = 307.96 \text{ M}^3$$

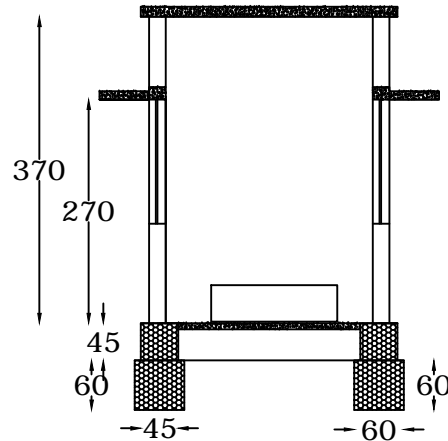


GLSR PLAN



SITE PLAN

PROPOSED PLAN OF THE PUMP HOUSE



SPECIFICATIONS

Basement - RR Masonry in cement mortar 1:6

wall -solid block,cement mortar 1:6

plastering - cement mortar 1:4, 12mm one coat for walls

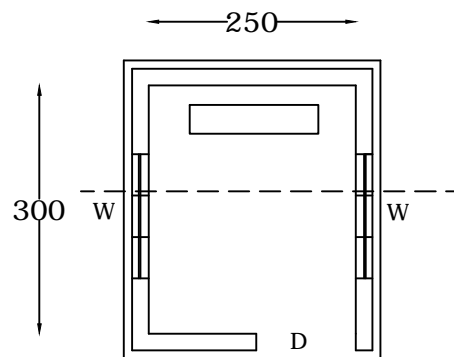
plastering - cement mortar 1:3,9mm,for concrete surfaces

Glazed window W -150 cm x 150 cm

Door D - 120 cm x210 cm

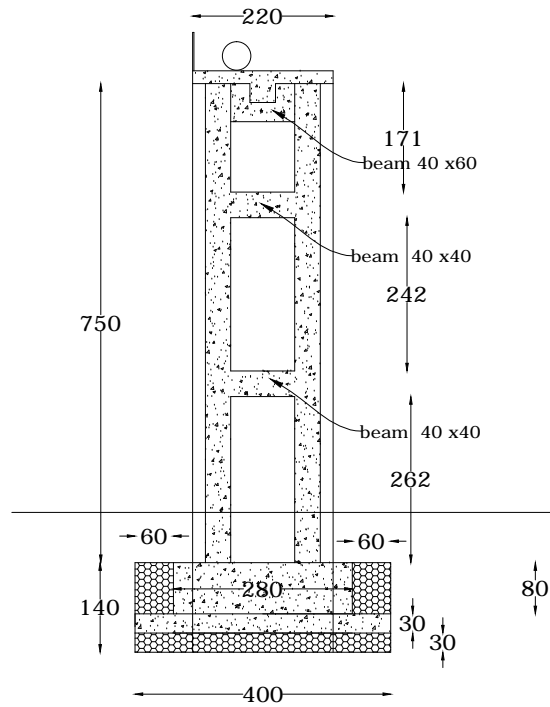
roof slab ,shade,belt , RCC M 20 Mix.

SECTION

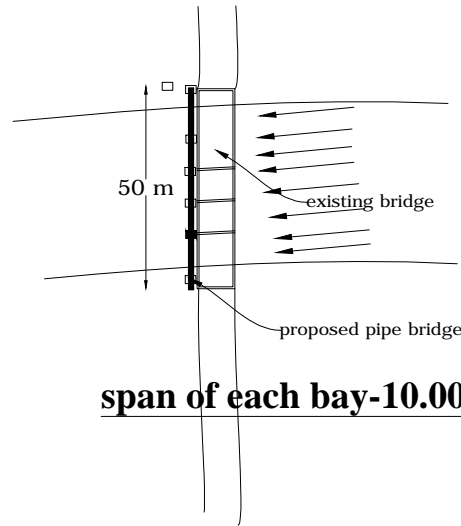


PLAN

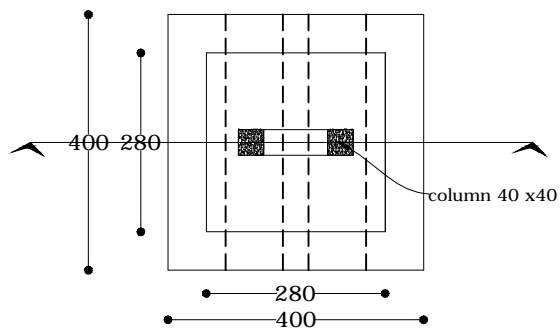
proposed plan of the pipe bridge across river



section of support



span of each bay-10.00 m



footing PLAN