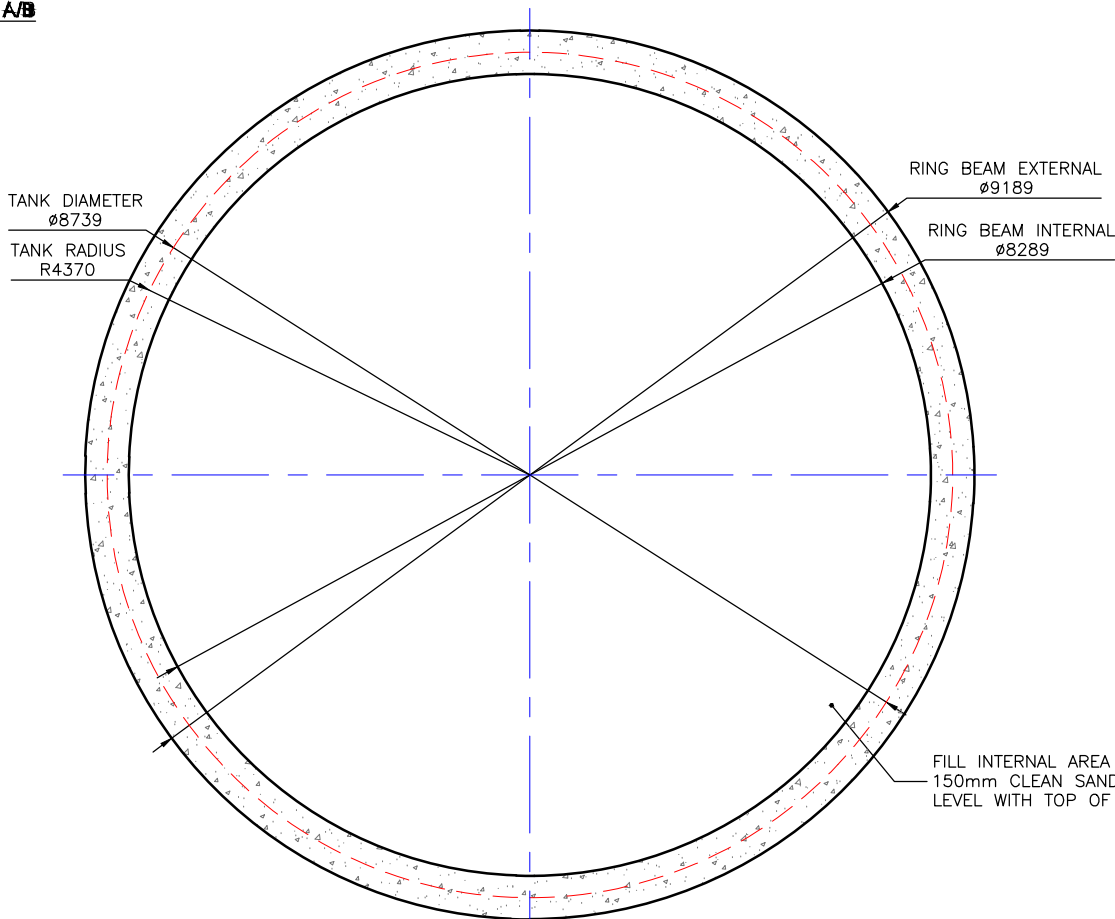
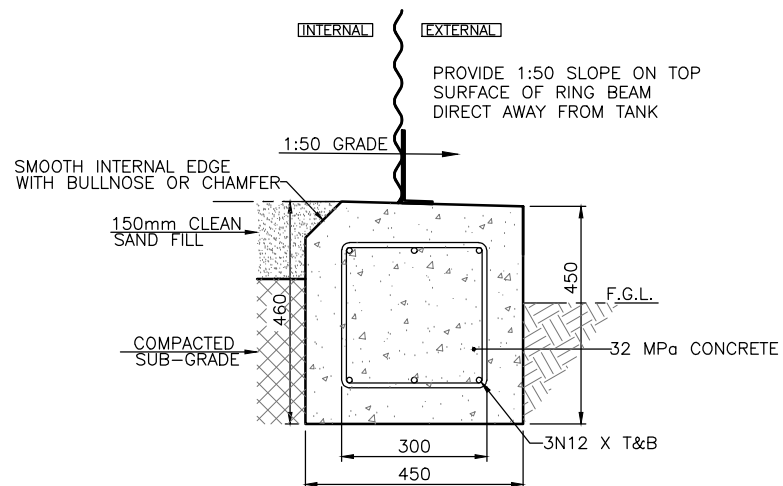


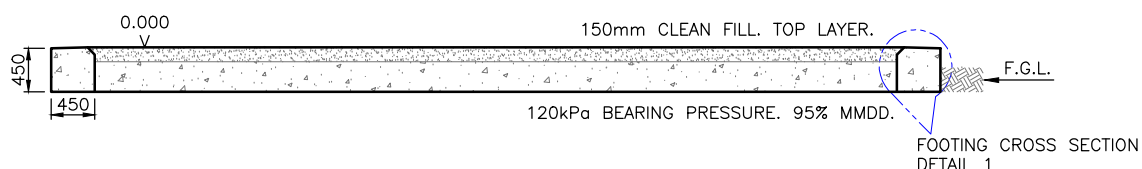
CONCRETE RING BEAM
TANK MODEL RCT 130-22
Ø8.739m X 2.2mH
131 kJ TOTAL CAPACITY.
REGION A/B



RING BEAM LAYOUT



DETAIL 1 - RING BEAM CROSS SECTION
SCALE: 1:20



RING BEAM PROFILE

NOTE :

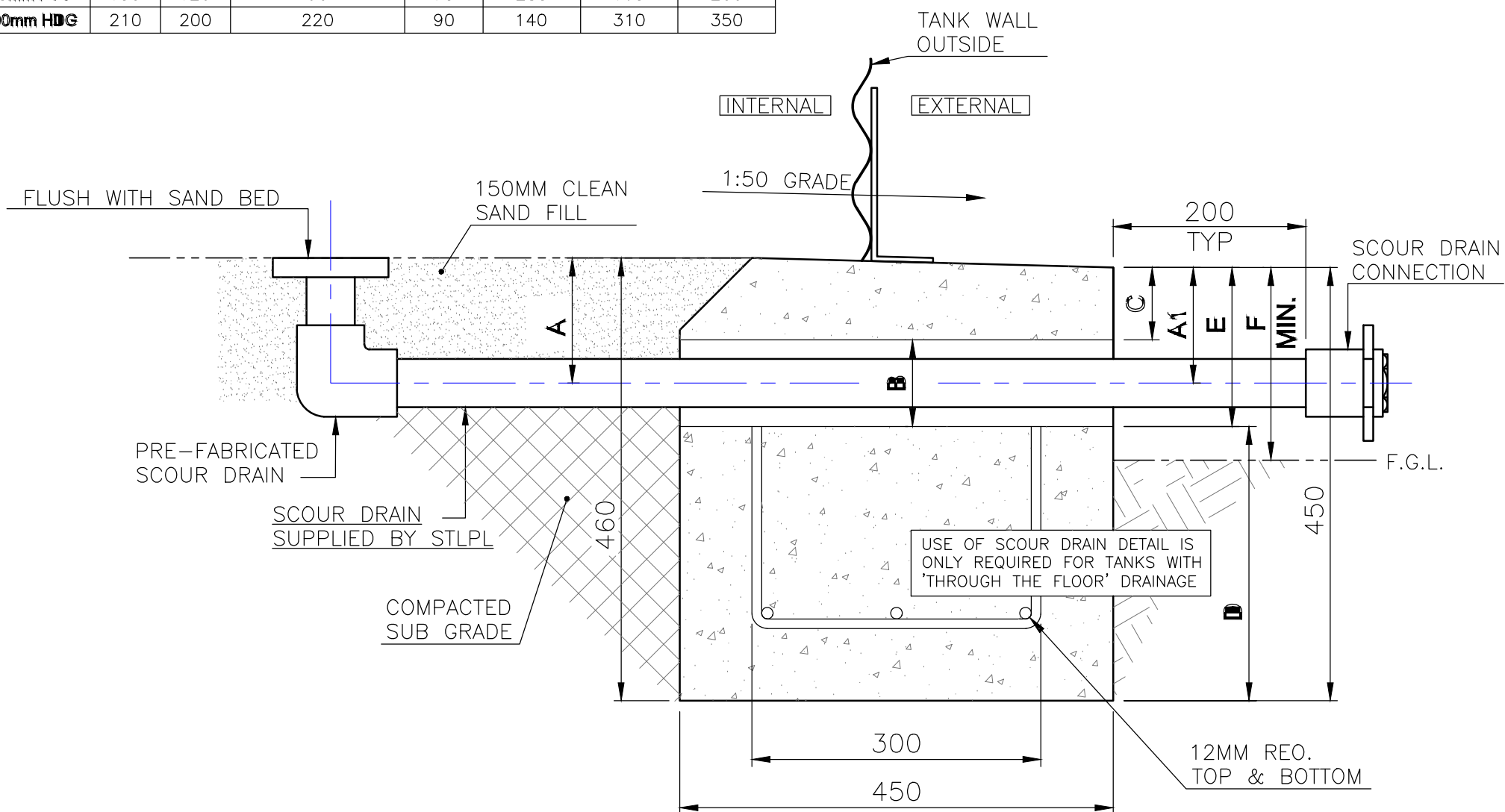
- 1) ALL DIMENSIONS ARE IN MILLIMETERS UNLESS STATED OTHERWISE
- 2) GENERAL ARRANGEMENT DRAWING ONLY.
- 3) FOUNDATION TO BE CONSTRUCTED OF 32MPa CONCRETE.
- 4) COMPACT SUB-GRADE TO 120kPa BEARING PRESSURE. 95% MAXIMUM MODIFIED DRY DENSITY.
- 5) CONCRETE COVER FOR REINFORCING TO BE 75mm UNLESS SPECIFIED OTHERWISE.
- 6) RING BEAM INTERNAL AREA TO BE FILLED WITH 150mm DEEP OF CLEAN SAND LEVEL WITH TOP OF RING BEAM.
- 7) TOP OF FOUNDATION TO PROJECT A MINIMUM OF 200mm ABOVE FINISHED GROUND LEVEL.
- 8) SMOOTH INTERNAL EDGE OF RING BEAM WITH BULLNOSE TROWEL OR CHAMFER.
- 9) TOP OF RING BEAM SURFACE TO HAVE A SMOOTH FINISH.
- 10) SLOPE TOP SURFACE OF RING BEAM TO 1:50 GRADE, DIRECTED OUTWARDS (AWAY FROM TANK CENTER) TO ALLOW FOR RUNOFF.
- 11) PROVISION FOR 'THROUGH FLOOR' SCOUR DRAIN SHOULD BE ADDRESSED PRIOR TO FOUNDATION CONSTRUCTION.
- 12) TANK FOUNDATION DESIGNED TO WIND 'REGION B' AS PER AS/NZS 1170.2:2011.
- 13) THE DESIGN ASSUMED THAT SOILS AND ANY GROUND WATER PRESENT ON THE SITE ARE NON-AGGRESSIVE AND WILL HAVE NO DELETERIOUS EFFECT ON THE CONCRETE FOUNDATION.

KERALA WATER AUTHORITY
 Project Division, Kattappana

STEEL TANK AT ADAYALAKALLU

SCOUR DRAIN ARRANGEMENT

SCOUR DRAIN TYPE	SCOUR CAST IN DEPTH		SLEEVE MINIMUM INTERNAL DIAMETER	SLEEVE DEPTH	D	E	F.G.L. (MIN.)
	A	A1	B	C			F
50mm PVC	130	120	90	75	285	165	200
100mm HDG	210	200	220	90	140	310	350



SCOUR DRAIN PROFILE

KERALA WATER AUTHORITY
 Project Division, Kattappana

STEEL TANK AT ADAYALAKALLU