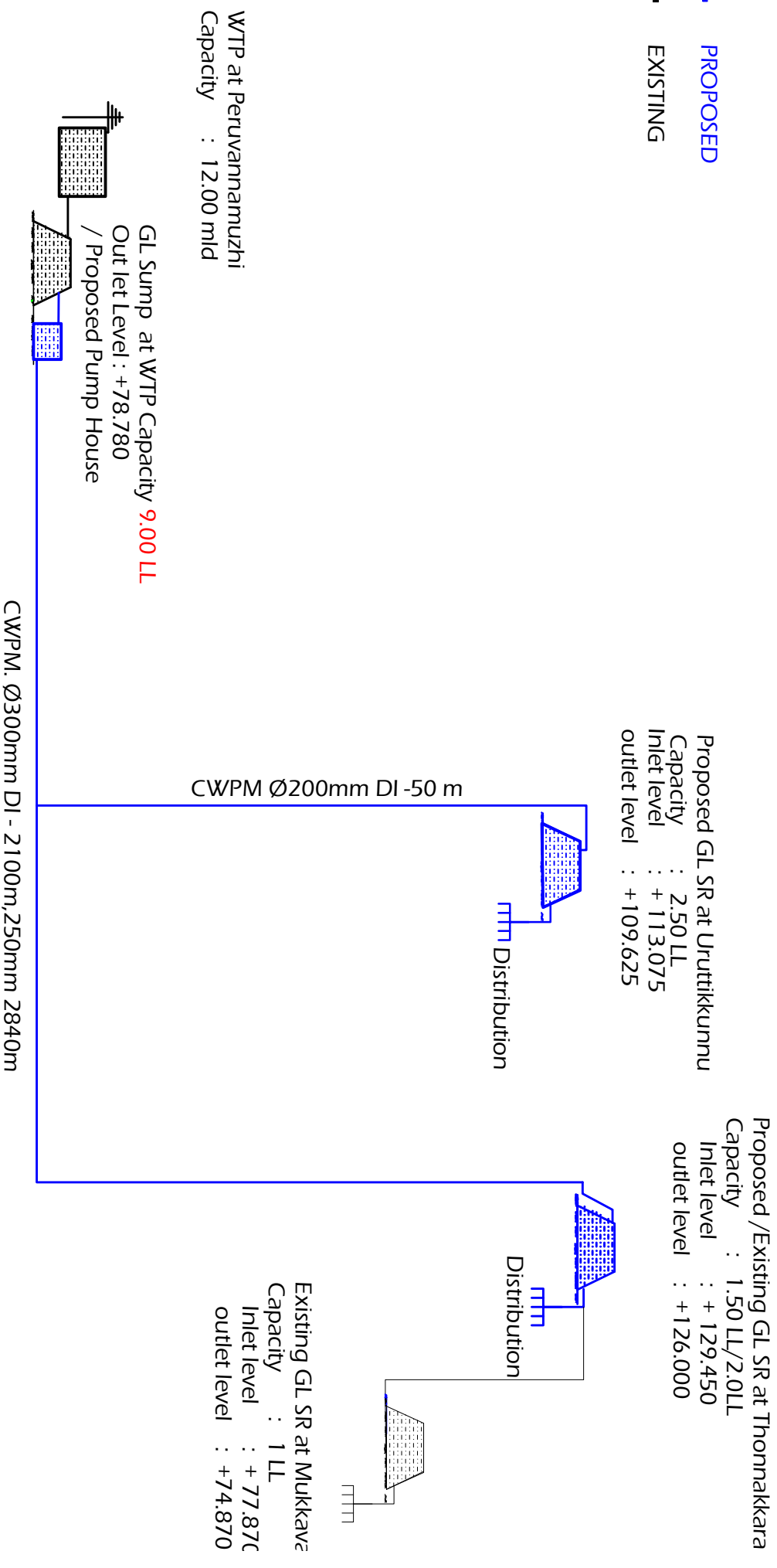
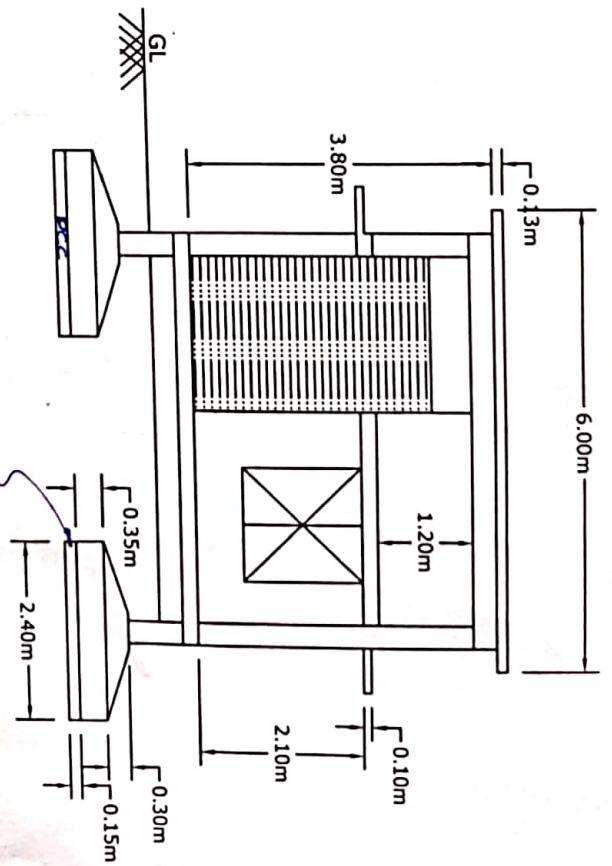
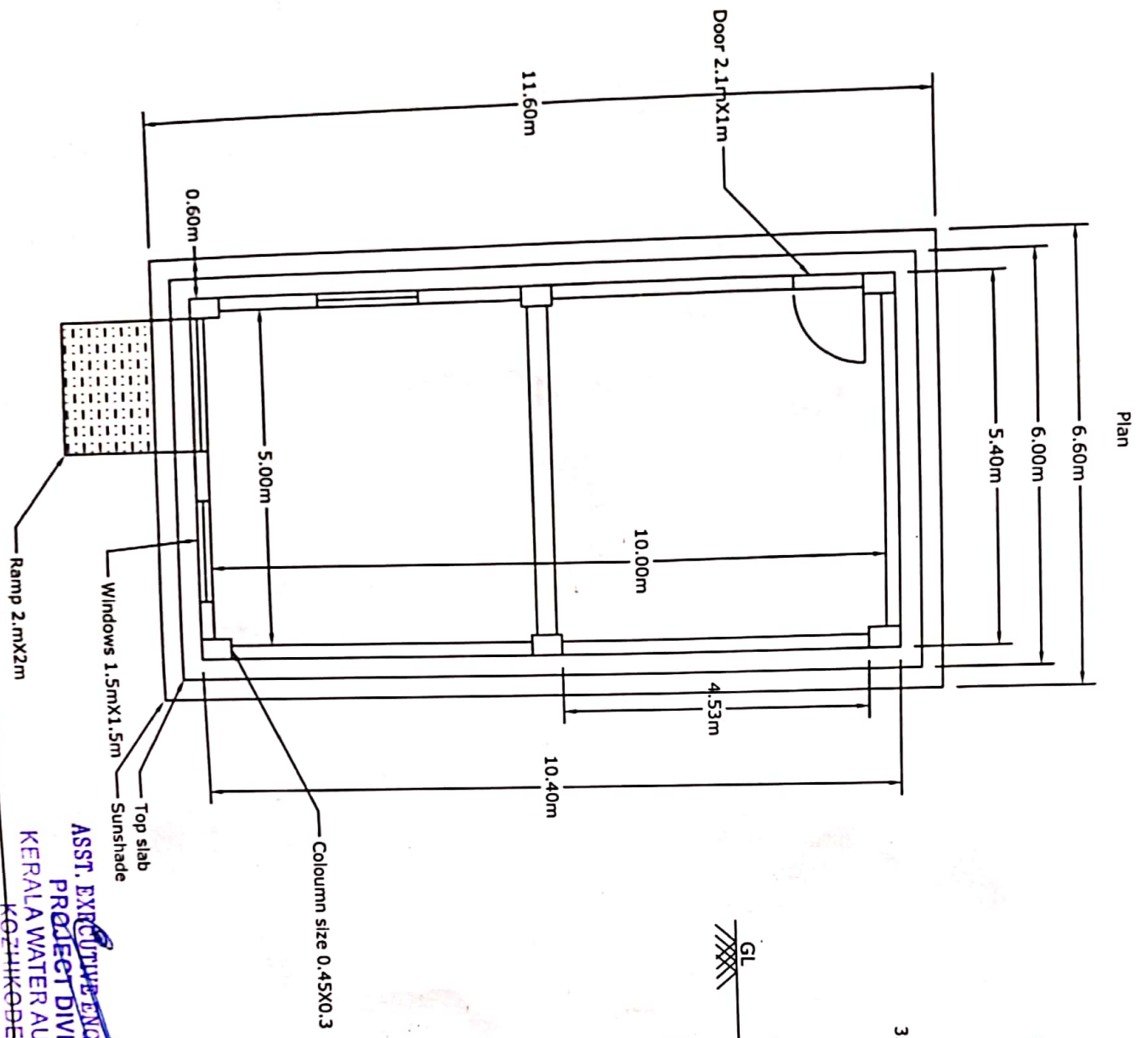


SCHEMATIC DIAGRAM

JJM PHASE 1 PROVIDING FUNCTIONAL HOUSE HOLD TAP CONNECTION BY AUGMENTATION OF EXISTING WATER SUPPLYSCHHEME IN CHAKITTAPARAGRAMA PANCHAYATH

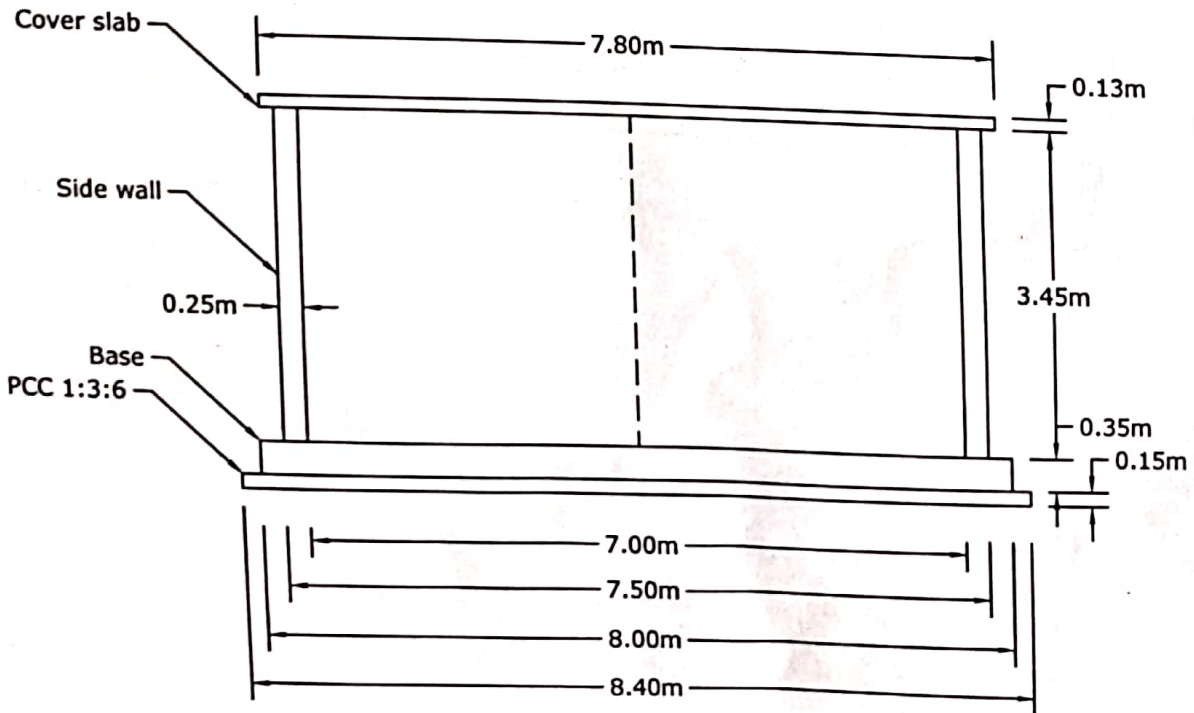
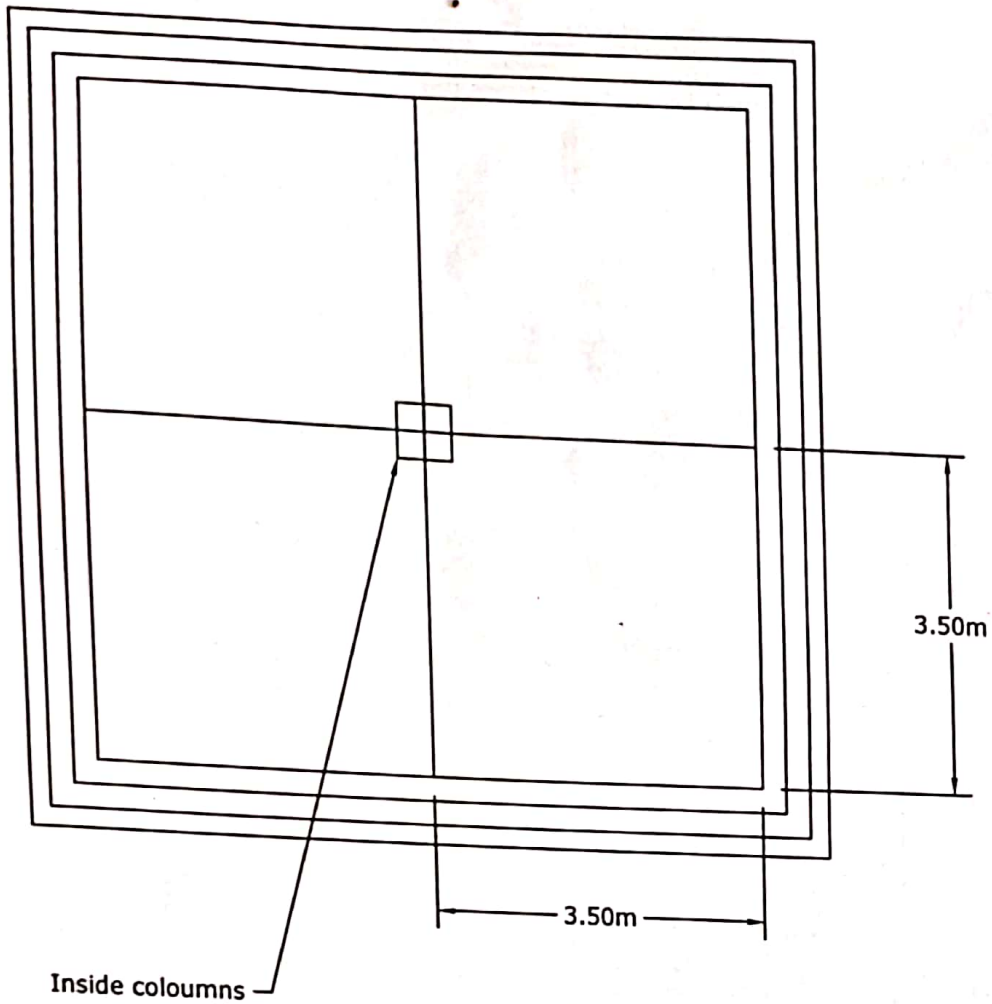
- PROPOSED
- EXISTING





ASST. EXECUTIVE ENGINEER No:II
 PROJECT DIVISION
 KERALA WATER AUTHORITY
 KOZHIKODE - 9

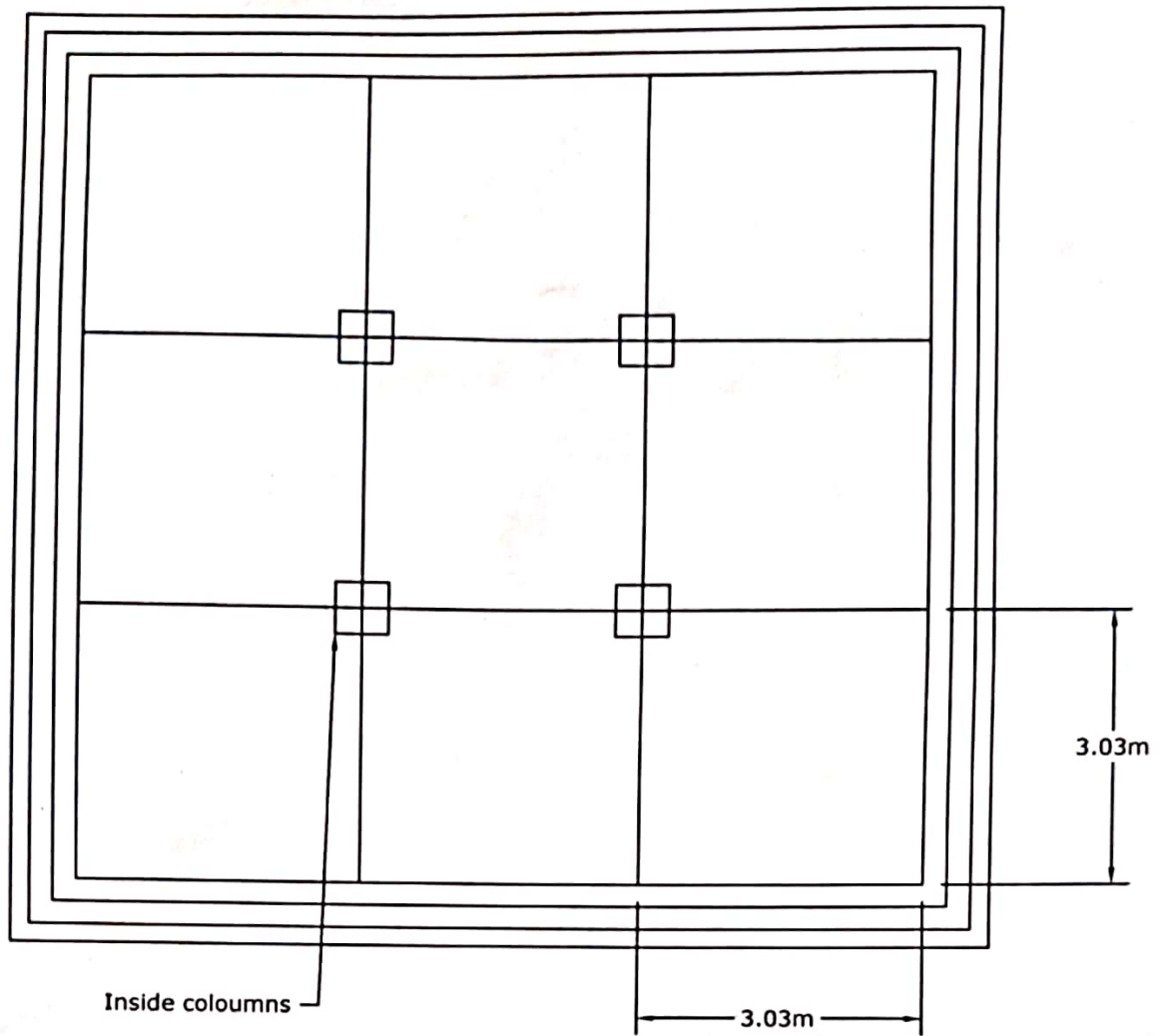
WSS to Chakkittapara Grama Panchayath
 Pump House at WTP Premises
 Peruvannamuzhi



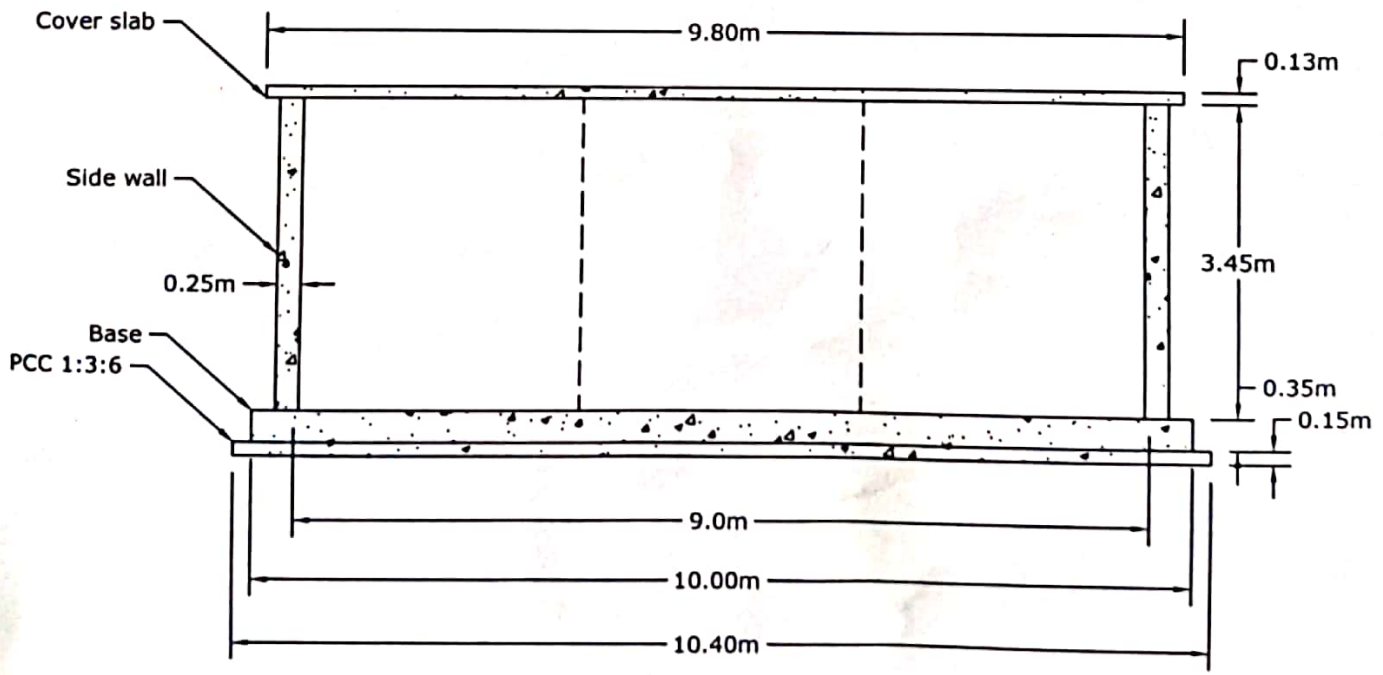
Section View

ASST. EXECUTIVE ENGINEER No:II
 PROJECT DIVISION
 KERALA WATER AUTHORITY
 KOZHIKODE - 9

WSS to Chakkittapara Grama Panchayath
 1.5LL capacity Additional GLSR at Thonakkara



Plan



Section View

ASST. EXECUTIVE ENGINEER No:II
 PROJECT DIVISION
 KERALA WATER AUTHORITY
 KOZHIKODE - 9

WSS to Chakkittapara Grama Panchayath
 2.5LL capacity GLSR at Uruttikunnu